



Sharp Innovators

MECHANICAL FLOWER THINNING MACHINE
FOR ORCHARDS

model
TH500A/B/E



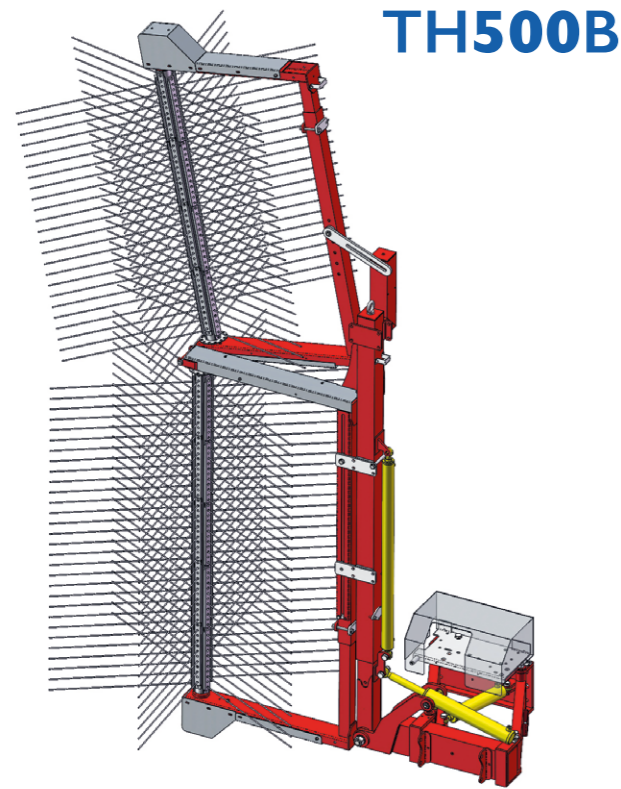
bmv-italy.com





Sharp Innovators

THINNING MACHINE model TH500A/B/E



TH500B

OIL TANK



40 LT. TANK

CONNECTIONS



FIXED CONNECTION

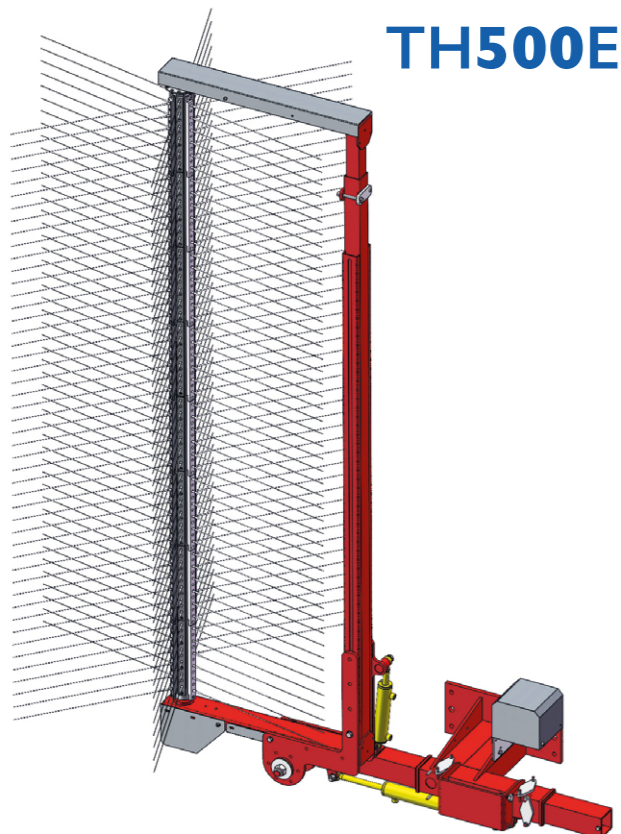


3 POINTS CONNECTION

CONTROLS



TH500A, TH500B: JOYSTICK COMBINED WITH ELECTROHYDRAULIC DISTRIBUTOR



TH500E



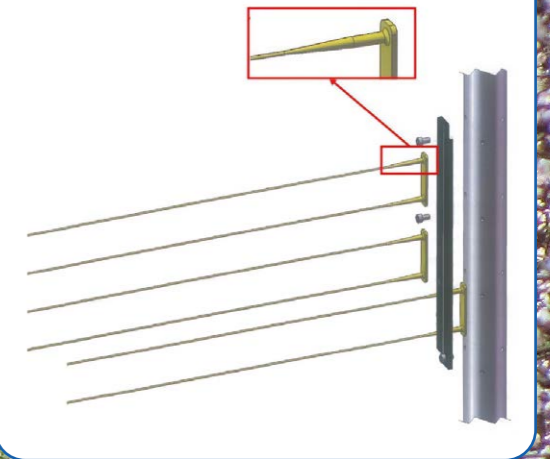
CONSOLE + GRAPHIC DISPLAY combined with electric distributor.

Advantages are:

- Display of the exact number of shaft revolutions
- The set number of revolutions is kept constant regardless of the number of revolutions of the engine
- The green button in the photo allows the total or temporary stop of the wires-shaft



WIRES GROUP PARTICULAR



ADVANTAGES

Mechanical thinning of flowers can be done on all kind of orchards and allows to obtain larger and qualitatively better fruits, without the use of chemical substances.

Costs and working times are significantly reduced, always guaranteeing excellent effectiveness.





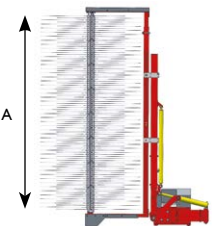
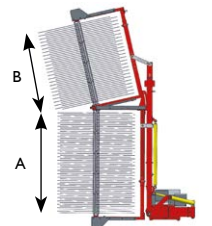
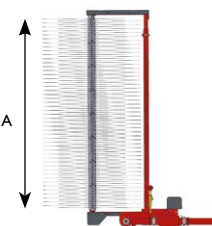
Sturdiness and ease of use



Sharp Innovators

THINNING MACHINE model TH500A/B/E

INFORMAZIONI TECNICHE / Technical Information / Información técnica

MODELLO Model Modelo	A	B				
	cm		N°	Kg	HP	L/min
TH500A 	220	-	1	220	60	30
	250	-	1	225	60	30
	280	-	1	230	60	30
	310	-	1	235	60	30
TH500B 	125	95	2	230	60	30
	125	125	2	235	60	30
	155	125	2	240	60	30
	155	155	2	245	60	30
TH500E 	250	-	1	160	60	30
	280	-	1	165	60	30
	310	-	1	170	60	30

bmv-italy.com

Strada Forcellini, 5 - 12051 - Alba (CN) - Italy
T. +39 0173 35450 - F. +39 0173 35214 - bmv@bmv-italy.com

