

IBMV

Sharp Innovators

TRIMMING MACHINE
FOR VINEYARD

model

DE800-DE850

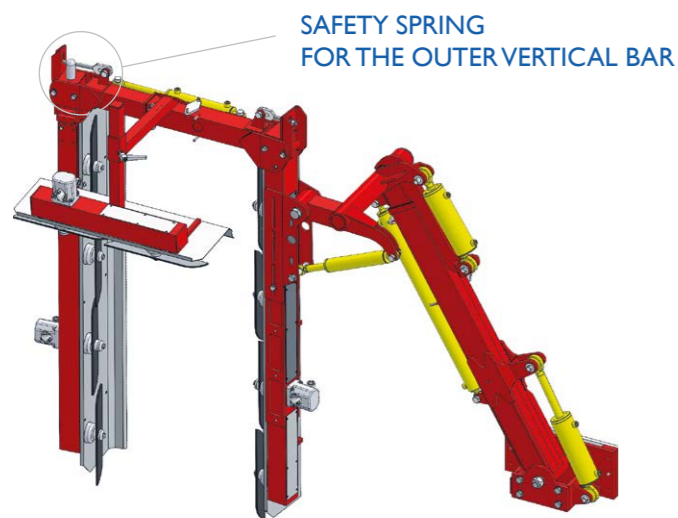


bmv-italy.com



Sharp Innovators

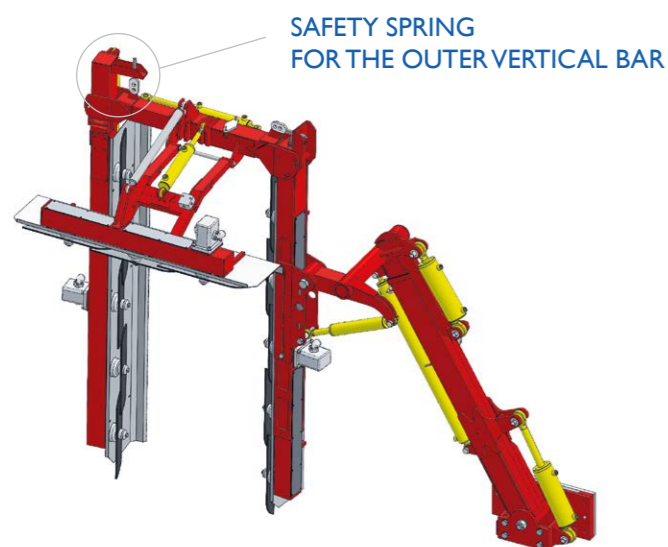
TRIMMING MACHINE model DE800-DE850



SAFETY SPRING FOR THE OUTER VERTICAL BAR

DE800

- Transmission with curved flat belt self-centering without tension
- Stainless steel protection
- Top manually adjustable



SAFETY SPRING FOR THE OUTER VERTICAL BAR

DE850

- More overlapping knives
- Engines gr. 2
- Protections with increased thickness
- Special transmission with poly-v belt
- Top adjustable with hydraulic piston

CONTROLS



JOYSTICK COMBINED WITH ELECTRIC DISTRIBUTOR

CONNECTIONS



FIXED CONNECTION



3 POINTS CONNECTION

OIL TANK



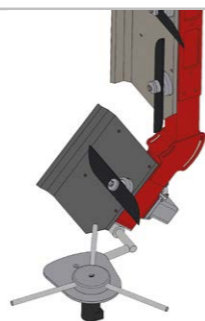
40 LT. TANK

CUTTING TOOL

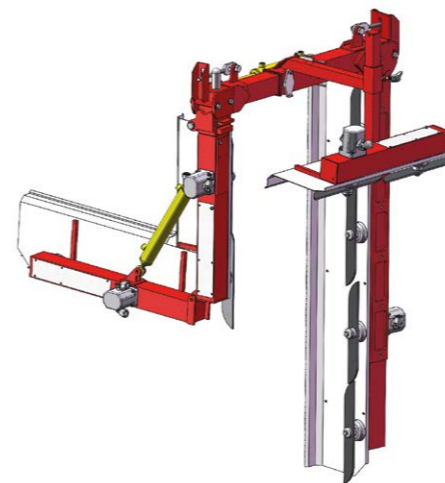


INOX SCIABOLA KNIVES

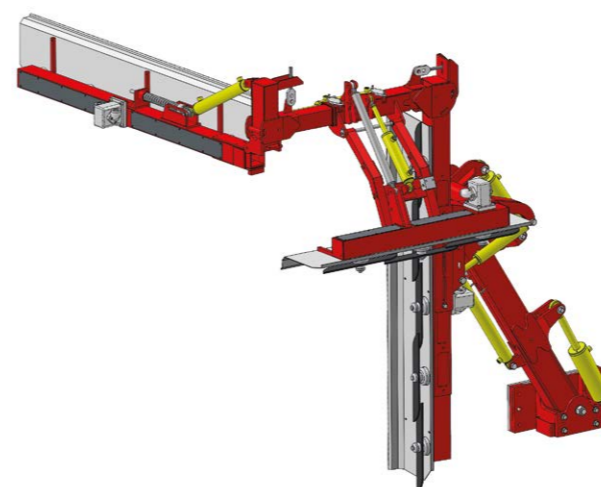
U N D E R C A N O P Y G R O U P



"CASARSA" CUTTING GROUP AND/OR SHOOTS-GATHER



VERSION WITH LAST TWO RETRACTABLE KNIVES (0-90°), ON THE MOST OUTER VERTICAL BAR WITH HYDRAULIC PISTON.



VERSION WITH PISTON FOR EXTERNAL VERTICAL BAR RETRACTION (0-90°) + ANTI-SHOCK SAFETY SPRING.



ADVANTAGES

Our trimmer machines are used in viticulture for green pruning or pruning of shoots, which can damage the normal growth of the plant and its fruiting. They completely replace the manual operation performed laterally and/or above the row, with results of absolute perfection and control.

Sturdiness and ease of use





Sharp Innovators

TRIMMING MACHINE model DE800-DE850

INFORMAZIONI TECNICHE / Technical Information / Información técnica

| MODELLO Model Modelo | | | | A min | A max | B min | B max | | | | |
|----------------------------|----|---|---|----------|----------|----------|----------|-----|----|----|-------|
| | X | Y | Z | | | | | | | | |
| | N° | | | cm | | | | Kg | cm | HP | L/min |
| DE800B | 4 | 2 | 4 | 124 | 154 | 48 | 67 | 325 | 38 | 60 | 30 |
| | 5 | 2 | 5 | 162 | 192 | 48 | 67 | 340 | | | |
| DE850B | 5 | 3 | 5 | 123 | 180 | 53 | 69 | 360 | 31 | 60 | 30 |
| | 6 | 3 | 6 | 154 | 212 | 53 | 69 | 375 | | | |

bmv-italy.com

Strada Forcellini, 5 - 12051 - Alba (CN) - Italy
T. +39 0173 35450 - F. +39 0173 35214 - bmv@bmv-italy.com

